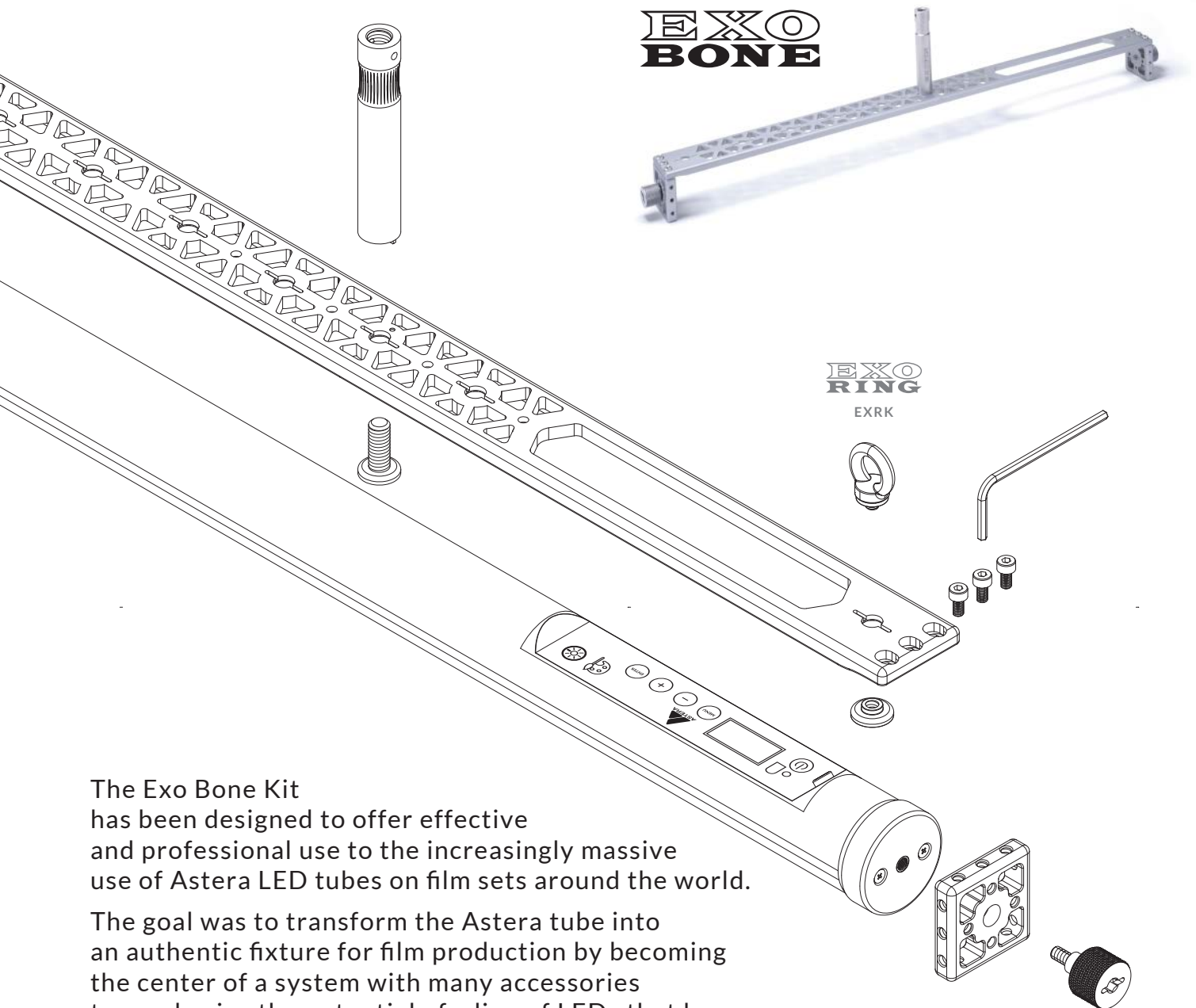


Exo Bone Kit for Astera Helios or Titan with (1x) Exo Bone Silver, (2x) Exo Slab Silver, (2x) Exo Knobs Titanium, (1x) Exo Pin Titanium mount. Aluminium Silver Anodized, (6x) hex screws M4X8, (2x) hex screws M5X8, (1x) hex key SW3, (1x) hex key SW4. Neoprene Kit Pouch with crystal pocket for accessories.



The Exo Bone Kit has been designed to offer effective and professional use to the increasingly massive use of Astera LED tubes on film sets around the world.

The goal was to transform the Astera tube into an authentic fixture for film production by becoming the center of a system with many accessories to emphasize the potential of a line of LEDs that have now become an international production standard.

The particular attachment system of the Exo Pin allows you to use countless accessories for mounting on standard grips of the film and entertainment industry.

EXOBONE
HELIOS KIT

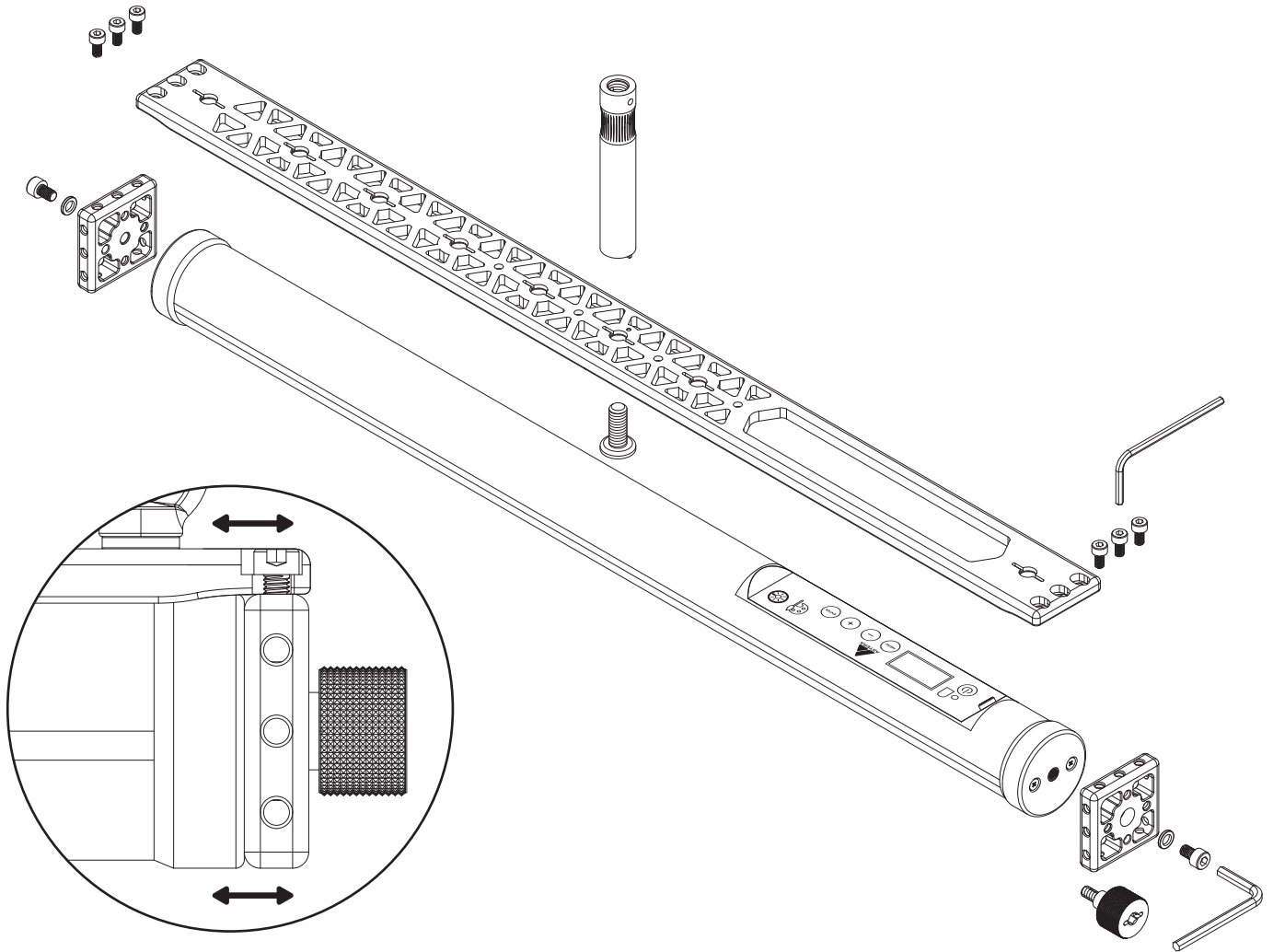
EXBE-HKIT

Wgt: gr. 412, oz. 14,5.

EXOBONE
TITAN KIT

EXBE-TKIT

Wgt: gr. 691, oz. 24,4.

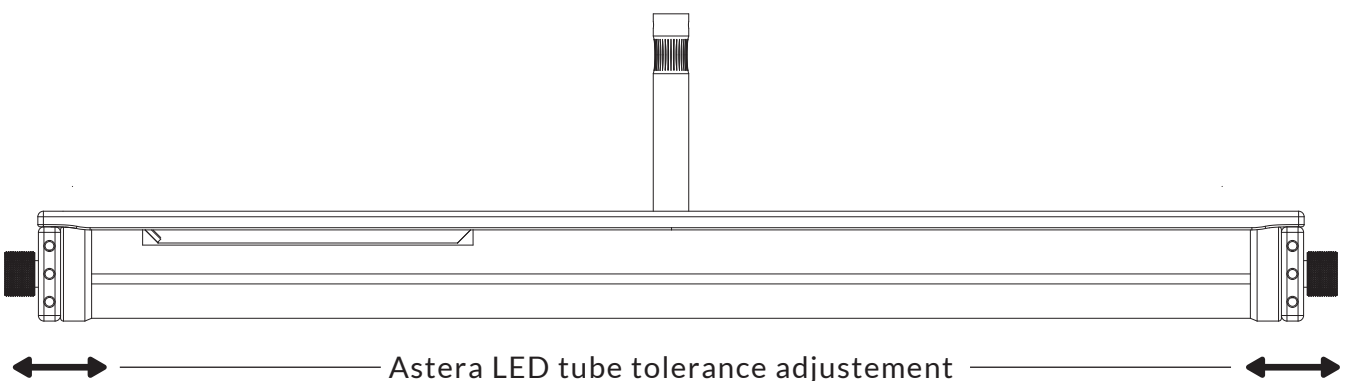


To mount the Exo Bone Kit on the Astera tube, mount the two Exo Slabs on both sides with the 3 +3 Allen screws (do not tighten the screws), then install the Exo Pin and then the Astera tube.

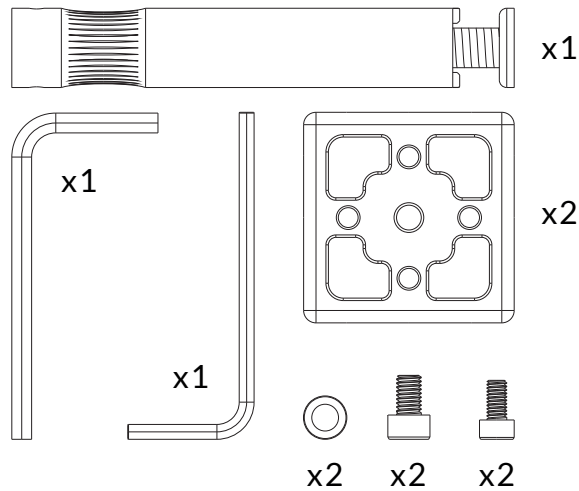
Adjust the size of the Astera tube (which have manufacturing tolerances) by pressing the two Exo Slabs against the Astera tube, then fix the 6 hex screws.

Mount the Astera tube and finally, fully screw the two Exo Knobs centering the M5 thread of the tube.

The Astera tube can be mounted both with the Exo Knob and with the two Allen screws with washer supplied in the kit if there is a need to mount the Astera tubes closer together.



The Exo Bone Kit is supplied in a protective neoprene pouch with a clear pocket for stowing accessories.
The bar with Exo Slabs mounted can be easily slipped into the pouch for instant use.



EXOPIN AND ACCESSORY POCKET

